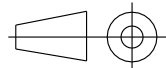
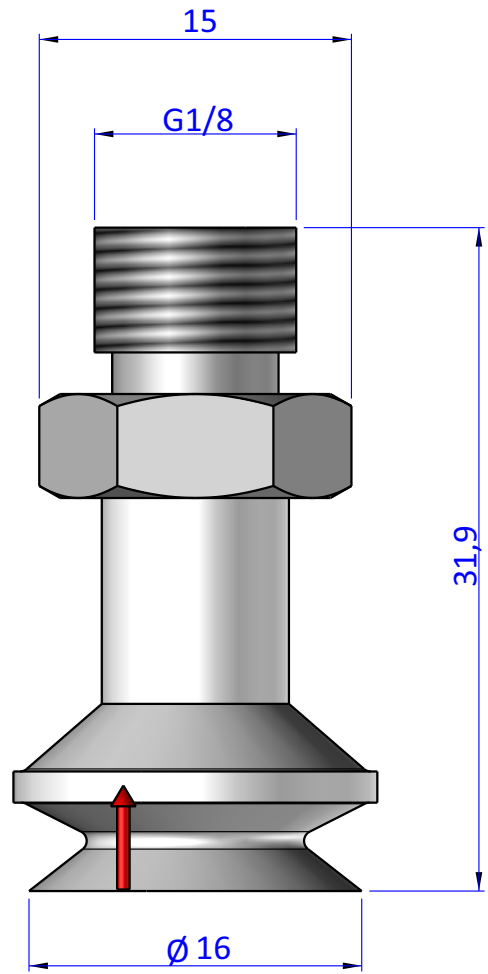
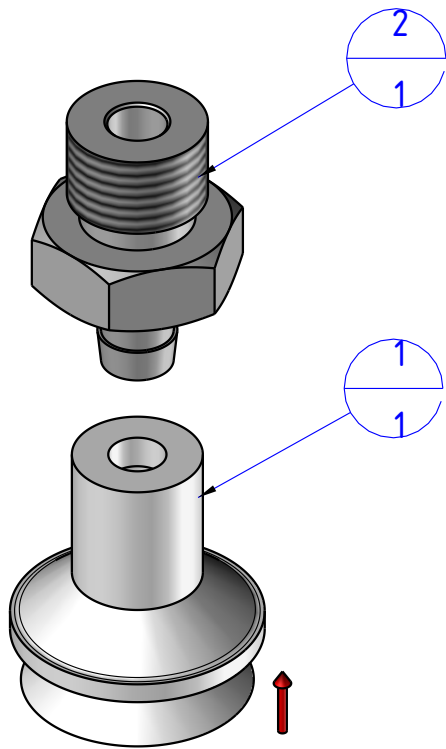


THE PROPERTY OF THE DRAWING IS ESTABLISHED BY LAW. IT IS FORBIDDEN TO PRODUCE OR SHOW IT TO THIRD PART, WITHOUT A WRITTEN AGREEMENT.

Item	Name	Q.ty
1	CA.08.01.002	1
2	CA.08.09.009	1



DESIGNED FROM	REVIEW
FPS Automation	A

DATE	WEIGHT
03/11/2020	0,005kg

CODE
KIT.08.01.D16.9

Format A4

UNI 936-76

GENERAL TOLERANCE

UNI - ISO 2768

CLASSE f

DESCRIPTION

KIT.08.01.D16.9